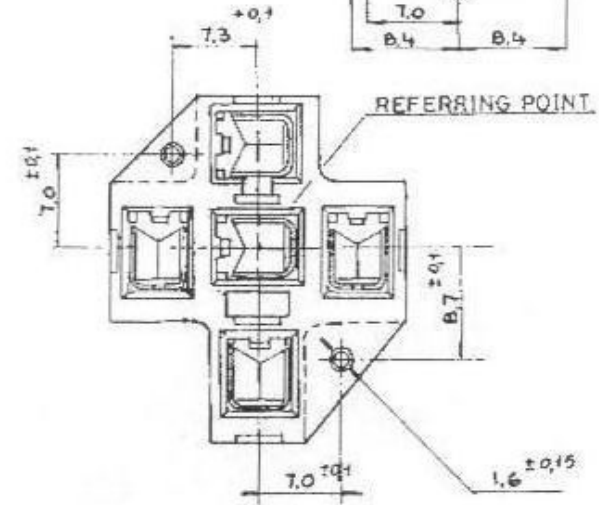
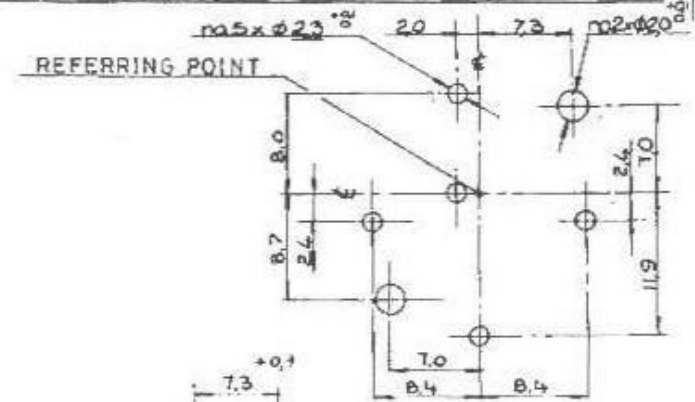
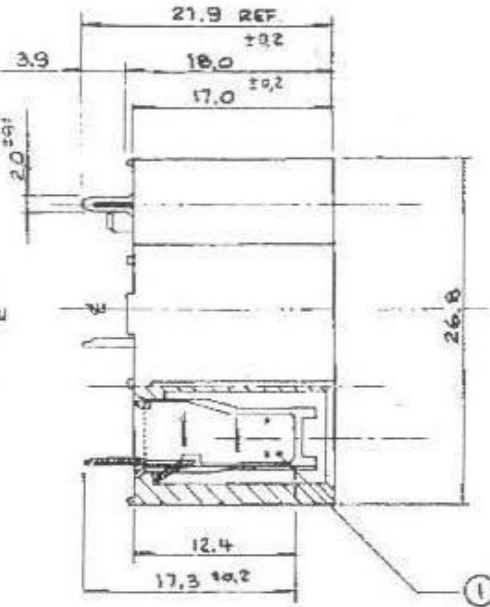
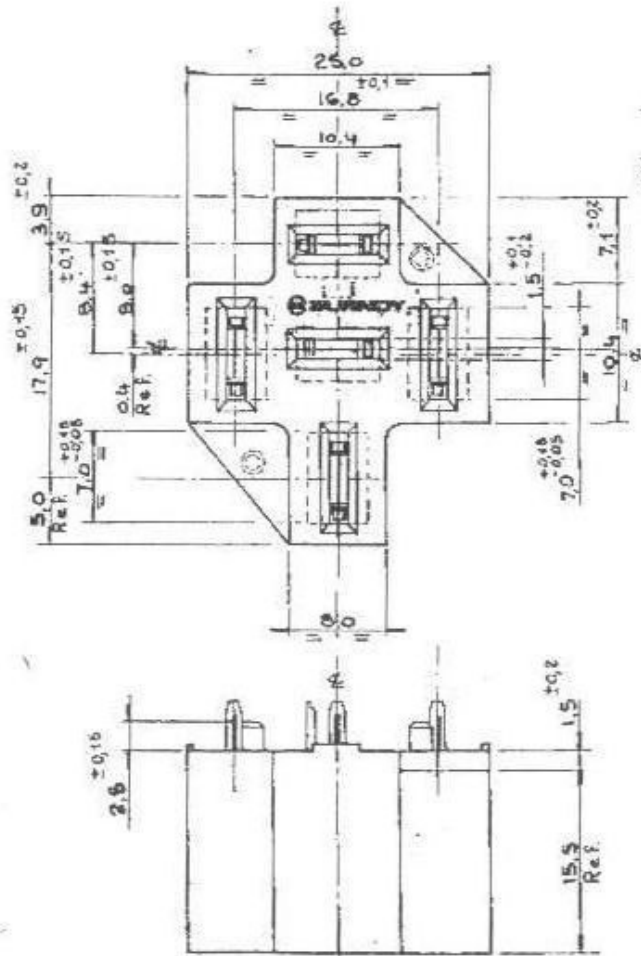



NOTES:

- ① Burndy female contact cat. no. FE014PT-T (see drwg. BSA 305824)
- ② BODY MATERIAL: PA 66 GF 15. colour Black
- ③ CONTACT MTL.: STOL 78 pre-tinned.

Recommended P.C.B. holes View from components side



SHEET

5 Pos. Relais support connector		Cat. No: FEC003-T	
Draft	BARONNE M. 06-10-88	This is our customer's property. It is not to be copied, reproduced or disclosed to a 3rd party, nor used for manufacturing, without our written consent, and has to be returned to us in case of no usage.	European projection Not to scale All dimensions in mm Tolerances: ±0.3 mm (Unless other wise specified)
Design	BARONNE F. 22-11-89		
Release		 <b>BSC 305827</b> Customer drawing	
We reserve the right to change dimensions or requirements without prior notice.			

10/7